

RT-50 Flow Transmitter

Common Uses

The RT-50 Flow Transmitter includes an easy-to-read backlit LCD display and an intuitive list menu style for easy programming and navigation. The polycarbonate housing provides a weather-tight enclosure to allow the unit to be installed outdoors. The RT-50 is ideal for flow monitoring applications such as:

- Coolant and lubrication circuits
- Test stands, calibration rigs and laboratories
- Food and beverage processing



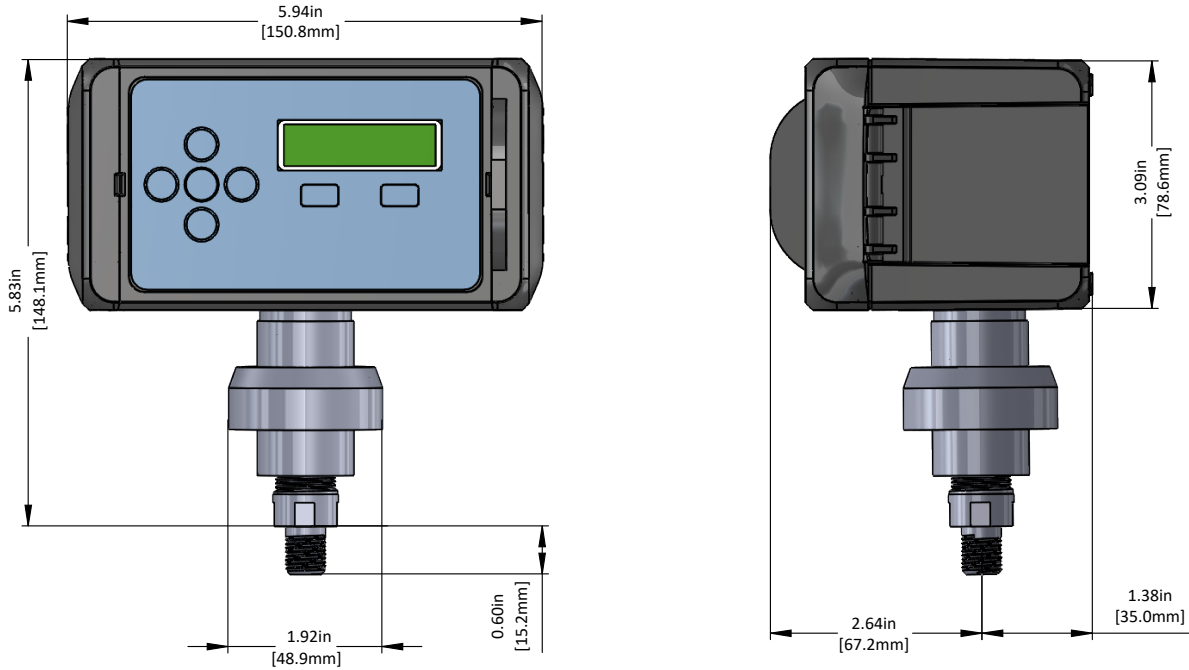
Technical Specifications

Flow Meter Compatibility	JV Series positive displacement gear meters and TRG, TR and TW turbine meters.
Power Options	Battery: 3.6V "C" cell battery, field replaceable; 2-year continuous use estimated average life, depending on options enabled. DC: 12-24 VDC Loop: 2-wire 12-24 VDC
Backup Battery	Lithium coin battery 3V. (CR2032) Stores user data and time when battery is disconnected.
Response Time	50 mS response, frequency dependent
Temperature Rating	-4 to 140°F (-20 to 60°C) ambient, 175°F (80°C) maximum fluid temp.
Input Options	Hall, Carrier, and Inductive frequency sensors.
Enclosure	Rugged, weather-tight enclosure made from high strength Polycarbonate.
Setup Options	<ul style="list-style-type: none"> • Local display • Computer toolkit • Mobile app through Bluetooth connection
Engineering Units	Eight selectable engineering units with no conversions to K-factors: <ul style="list-style-type: none"> • Gallons • Liters • Milliliters • Meters Cubed • Cubic Centimeters • Barrels (US) • Ounces • Pulses
Isolated Outputs*	Frequency, 4-20 mA, and 2 limit outputs
Linearization	10-point linearization table using the Bluetooth app and PC Toolkit
Bluetooth	Contains Bluetooth Transmitter Module FCC ID:12208A-01

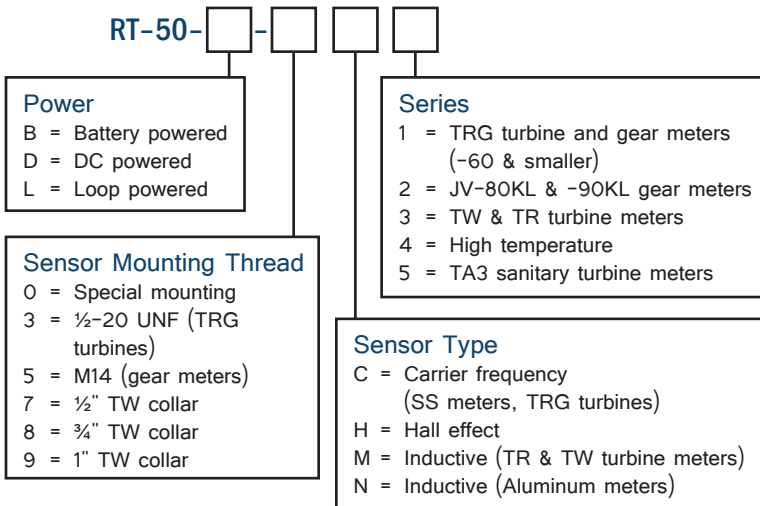
* Loop and DC powered units only

RT-50 Flow Rate Transmitter

Transmitter Dimensions



Part Number Guide



Mobile App Screens



3D STEP Models are available upon request of factory.
 Products may be subject to change without notice. Contact factory for the most up-to-date product information.

