

RT-30SD – FLOW TRANSMITTER WITH LOCAL DISPLAY

Ideal for any industry or flow measurement application where a local rate and total display is required and in locations where equipment is exposed to the elements.



BENEFITS

Options for Remote Indication

The RT-30 has options for remote flow monitoring:

- Frequency pulse output (standard)
- 4-20mA, user scalable (standard)
- HART communication protocol (optional)

Easy Field Programming

Flow rate or total can be easily programmed to display in choice of engineering units. To program the unit simply use the magnet that is attached. No opening of the enclosure is required.

Remote Mounting Available

The RT-30 can be mounted remotely when used in conjunction with any AW frequency output sensor.

Up and Running in Minutes

A quick setup procedure allows you to have the flow monitor working with just a few simple programming steps.

Flexiable Mounting

The RT-30 unit can be rotated 360° for optimal viewing from any angle. Options available to fit any AW Gear Meter or Turbine Meter.

Weather-Proof Enclosure

NEMA 4X enclosure provides environmental protection from moisture and debris.

FEATURES

- Available in single and dual access models
- Can be mounted directly on flow meter or in remote location
- HART® communication protocol option for remote monitoring and programming

TECHNICAL SPECIFICATIONS

Power Requirement

9-24 VDC / 200mA (customer supplied)

Analog Output 4-20mA

- PWM converter
- 3- or 2-wire plus separate supply
- Max load impedance 500 ohm

Frequency Output

Three Opto-Isolated Open-Collector Outputs:

- Programmable for frequency or limit outputs
- 5-30 VDC rating
- 40 mA max (min. load impedance required 600 Ohm @ 30 VDC)

Built in 30-Point Linearizer

Sensor/Monitor Frequency Range

0-4,500 Hz

Temperature Rating

-20 to 85°C (-4 to 185°F)

Connection

3/4" female NPT conduit provisions

One Opto-Isolated Input

9-24 VDC remote reset

PART NUMBER GUIDE

RT - 30SD -

Enclosure Style

D = Dual access,
Aluminum
S = Single access,
Aluminum
T = Single access,
316SS

Communication Protocol

"blank" = none
H = Hart®

Sensor

00 = None*
(Remote Mount)
02 = HUB-40SD1-S5-H2
11 = MAG-PB
31 = CAPM-15
41 = MG-300
42 = MG-450
81 = IR-PB

* Requires external sensor



MJ Systems, LLC

Authorized AW Lake Representatives

TX - Off (281) 842-7600

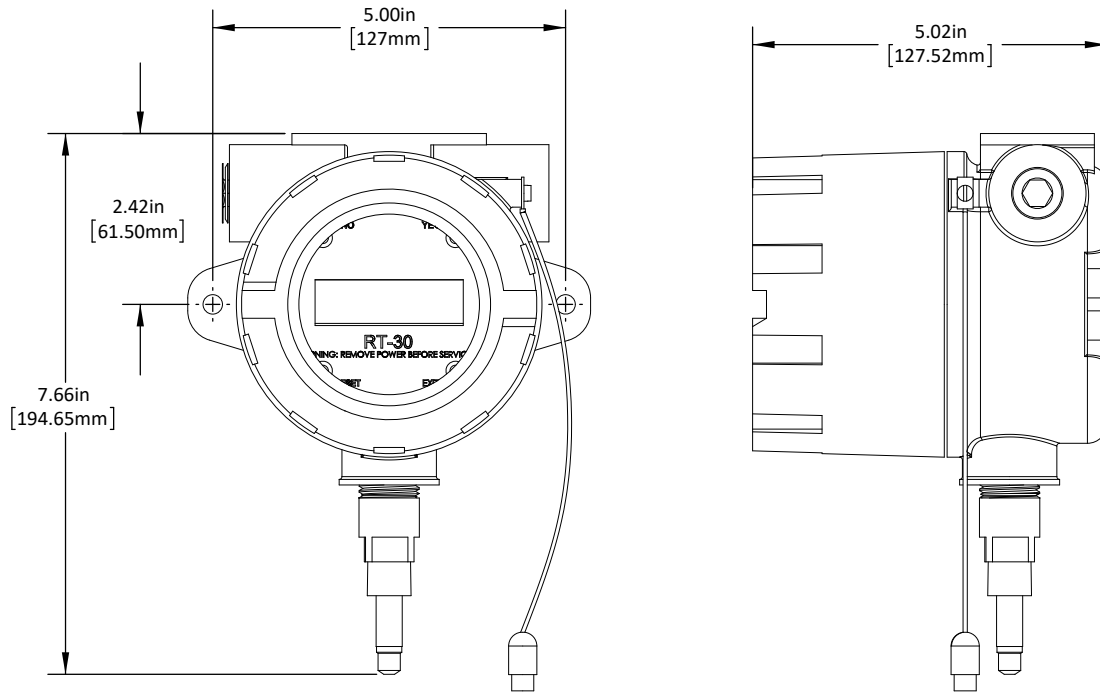
LA - Off (504) 264-7744

www.mjsusa.com • sales@mjsusa.com

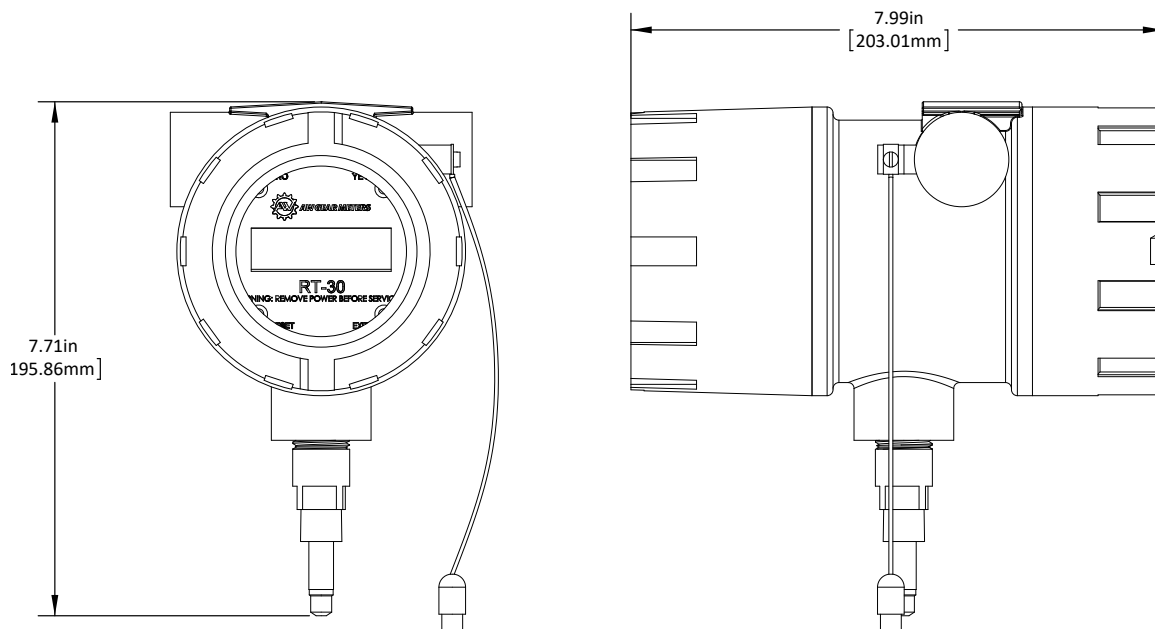
RT-30SD – FLOW TRANSMITTER WITH LOCAL DISPLAY

Ideal for any industry or flow measurement application where a local rate and total display is required and in locations where equipment is exposed to the elements.

SINGLE ACCESS ENCLOSURE (SHOWN HERE WITH MAG-PB SENSOR)



DUAL ACCESS ENCLOSURE (SHOWN HERE WITH MAG-PB SENSOR)



Products may be subject to change without notice - Contact factory for the most up-to-date product information.