

# JVH High Pressure Positive Displacement Flow Meter

## Common Uses

Designed for use in systems rated up to 15,000 psi (1035 bar), the JVH meters are well suited for oils, fuels, additives, and chemicals in hazardous areas. JVH meters come standard with inconel bolts for added strength and better corrosion resistance. The internal design has reduced space between the gears and measuring chamber to reduce slippage and improve the low flow performance of the meter. Practical applications include:

- Offshore production platforms, i.e. chemical injection
- Hydraulic power units
- Gas dehydration systems
- Chemical processing plants



## Technical Specifications

5 Flow Ranges	0.001 to 20 gpm (across all meter sizes)
Measuring Accuracy	±0.5% M.V. over full range with 30cP fluid, ±0.25% M.V. optional with select sensors
Repeatability	±0.1%
Max. Operating Pressure	up to 15,000 psi   1035 bar
Ports	Autoclave, Medium Pressure
Turndown	up to 400:1
Calibration	7-point calibration

## Materials of Construction

Body	316L Stainless Steel
Gears	Stainless Steel (DIN 1.4122)
Bearings	Stainless Steel Ball Bearings or Tungsten Carbide Sleeve Bushing
O-Ring	FKM or FFKM
Shafts	402 Stainless Steel or Tungsten Carbide
Bolts	Inconel 718

## Output Options

Choose from a wide variety of pickups, sensors, monitors, and controllers to pair with your gear meter:

- Frequency
- Analog (voltage or 4-20mA)
- Battery, loop, or DC powered displays

# JVH High Pressure Positive Displacement Flow Meter

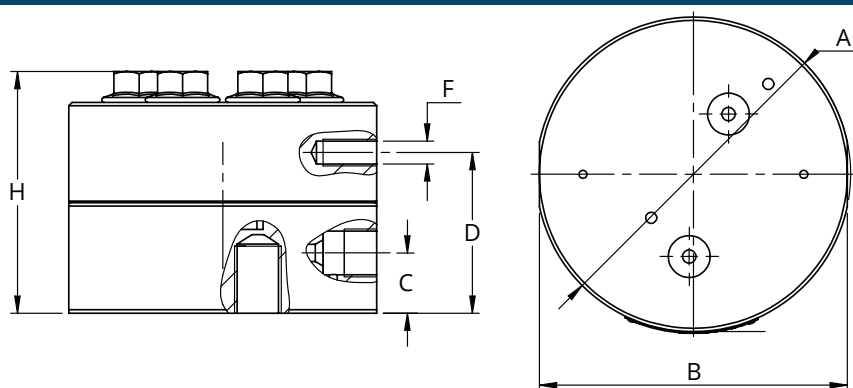
## Meter Data

Meter Size	Flow Range			Resolution*		Ports (Med Pres Autoclave)	Filtration (microns)		Pressure (psi/bar)
	(GPM)	(LPM)	(Gal/Day)	(Impulses/Gal)	(Impulses/CC)		BB	TC	
JVHS-10	0.001-0.5	0.005-2.0	1.4-720	200,600	53.0	3/8"	30	120	15,000/1035
JVHS-12	0.005-0.8	0.02-3.0	7.2-1152	106,000	28.0	3/8"	30	120	15,000/1035
JVHS-20	0.02-2.0	0.1-7.0	28.8-2880	31,800	8.4	3/8"	30	120	15,000/1035
JVHS-30	0.1-7.0	0.5-25.0	144-10,080	13,200	3.5	3/8"	30	120	15,000/1035
JVHS-60	0.1-20.0	0.5-75.0	144-28,800	3,600	0.95	3/4"	30	200	7,500/520

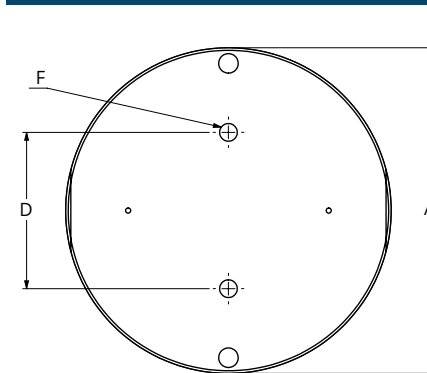
\* Figures shown represent resolution when using dual pickup sensor.

## Meter Dimensions

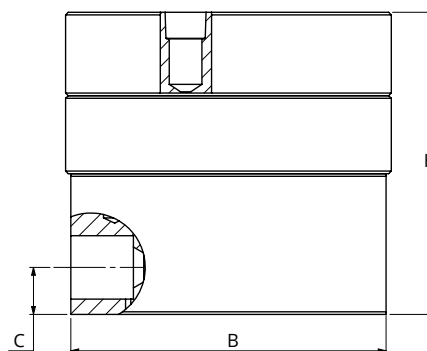
JVHS-10 through JVHS-30



JVHS-60



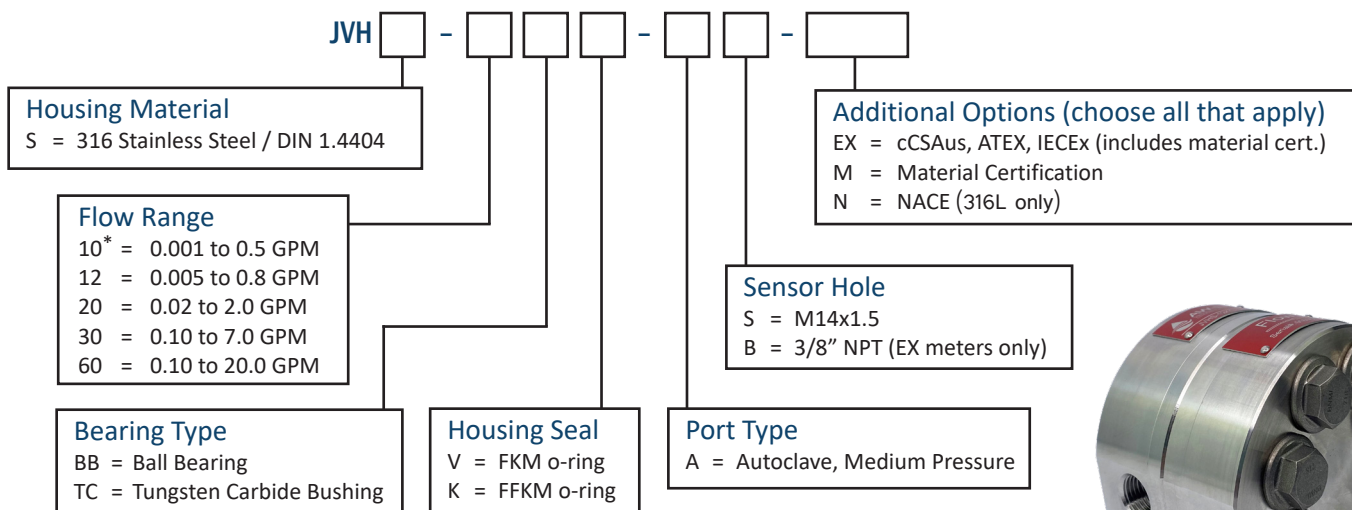
Meter Size	Dimensions						Weights	
	A	B	C	D	F (mounting hole)	H	(Lbs)	(Kg)
JVHS-10	3.7"	3.6"	0.71"	1.9"	M6x1x10mm	2.8"	7.5	3.4
JVHS-12	3.7"	3.6"	0.71"	1.9"	M6x1x10mm	2.8"	7.5	3.4
JVHS-20	3.7"	3.6"	0.71"	1.9"	M6x1x10mm	2.8"	7.5	3.4
JVHS-30	3.7"	3.6"	0.71"	2.4"	M6x1x10mm	3.3"	8.6	3.9
JVHS-60	5.0"	4.8"	0.71"	2.4"	M8x1x16mm	4.6"	24.5	11.1



3D STEP Models are available upon request of factory.  
Products may be subject to change without notice. Contact factory for the most up-to-date product information.

# JVH High Pressure Positive Displacement Flow Meter

## Part Number Guide

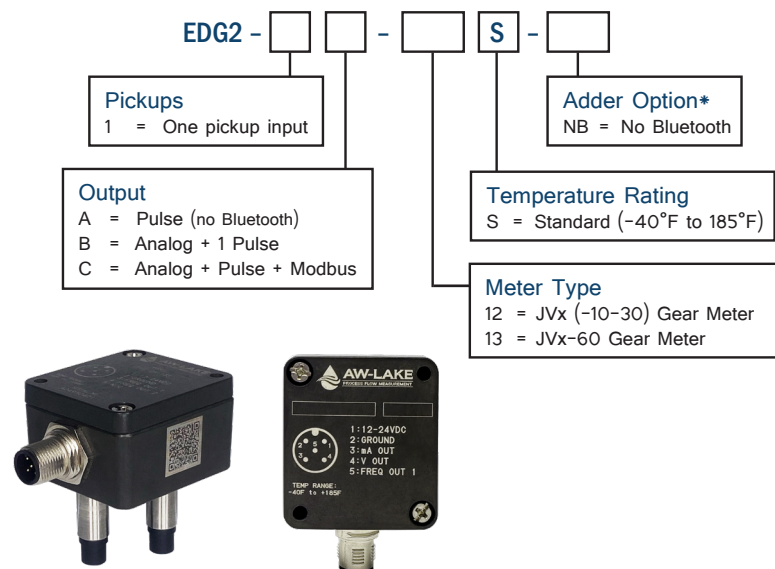


\*JVHS-10 size meter only available with Tungsten Carbide Bushing.

## Recommended Sensors

AW-Lake offers a wide selection of Sensors/Pickups and Monitors/Controllers to optimize flow measurement and deliver your flow data where you need it and in the format you need it.

### JVH Standard Sensor: EDGE Sensor



### Additional Electronics Options:

JVH meters are also compatible with a range of other pickups, displays, and controllers for high temperature and EX-rated environments.

Visit [AW-Lake.com](http://AW-Lake.com) for more information.



Products may be subject to change without notice.  
Contact factory for the most up-to-date product information.