

Triplex Plunger Pump K 4500

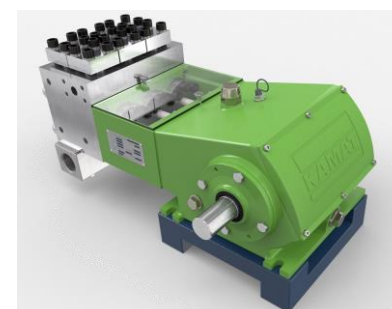
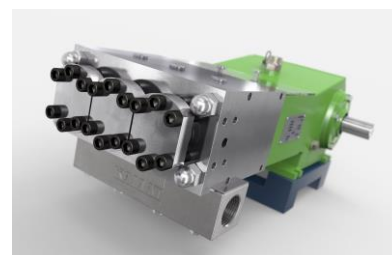
P 1-1

01.01.2018

At 45 kW, the K 4500 high-pressure pump serves as an entry point into the classic KAMAT modular component system. This modular construction design enables the selection of different pump heads, operating pressures and pumped media. Units customized to meet challenging application requirements for methanol, sea water, glycol, oils and more.

The pump design consists of relatively few component parts. As a result of this, reliability increases. The pump features a gear motor for most process applications and a classic V-belt drive for smaller-scale industrial cleaning processes.

- Flow rate based upon 100% volumetric efficiency and 20°C ambient temperature
- Minimum inlet pressure depends on fluid medium
- Speed range 10-100% depending on rod force
- Gear with splash lubrication
- Gear motor or V-belt drive
- API 674 and ATEX versions available
- Fluid viscosity up to 2,000 centipoise



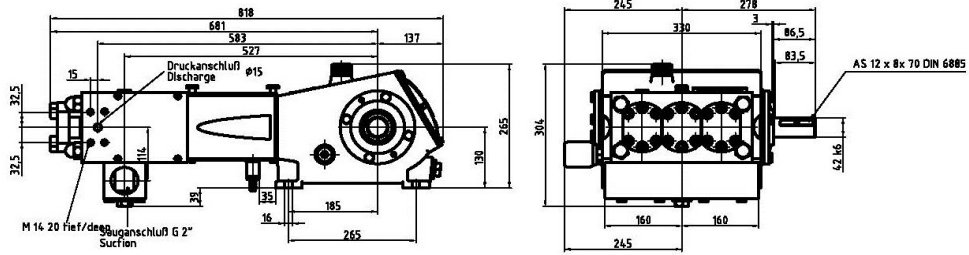
$n_{nom} = 650 \text{ 1/min}$		p max. bar @ kW				Head Type		
Type	l/min	22 kW	30 kW		45 kW	A	M	MC
K 4512	11	1000	1400	1700	2100	1		
K 4514	15	750	1020	1260	1530	1		
K 4516	20	575	780	960	1170	1		
K 4518	25	485	665	805	940	1		H
K 4520	31	390	535	660	760	1		H
K 4522	37	330	450	555	630	1		H
K 4524	44	275	375	465	530	1		H
K 4526	52	235	320	395	450	1		H
K 4528	60	200	275	340	390	1		H
K 4530	69	175	230	285	340	1	1	H
K 4532	78	155	210	260	295	1	1	1
K 4536	99	115	155	195	235		1	1
K 4540	122	95	125	160	190		1	1
K 4545	155	75	105	125	150			1
K 4550	191	60	85	105	120			1
K 4555	232	50	70	85	100			1

API 674 = max. 450 1/min

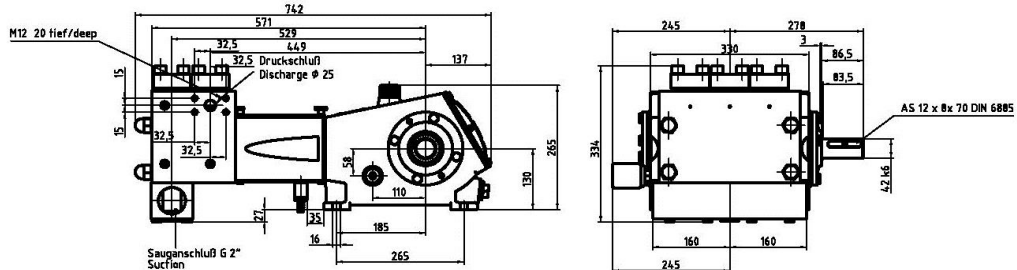
= Ultra High Pressure UHP

Dimensional Drawing K 4500 ~ 195 kg P 1-2
01.04.2018

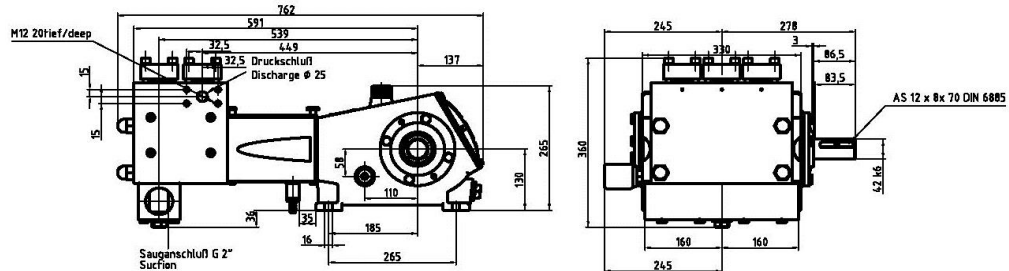
Typ A
Type A



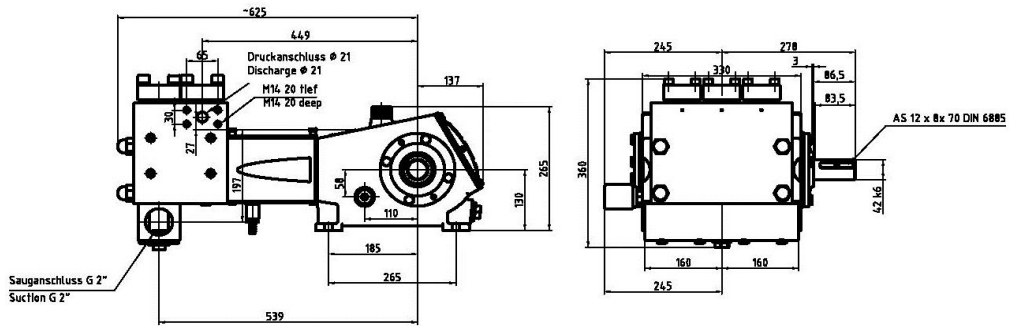
Typ M
Type M



Typ MC
Type MC



Typ MCH
Type MCH



Typ A
Type A
≈ 1500 bar

