

Triplex Plunger Pump K 13000 – 3G

P 25-1

01.10.2015

The K 13000 high-pressure pump fulfills a wide range of applications such as hydraulic, seawater, glycol, methanol, oils and jetting. At 130 kW, this model features a gearbox with forced lubrication and may be optionally equipped with an oil cooler for continuous operation. Pump constructed in the classic KAMAT modular component system to facilitate simplified adaptation to different operating requirements. The rugged design utilizes relatively few component parts, reducing maintenance.



- Flow rate based upon 100% volumetric efficiency and 20°C ambient temperature
- Minimum inlet pressure depends on fluid medium
- Speed range 10-100% depending on rod force
- Gear dynamically balanced
- Gear with force-fed lubrication (> 110 kW with oil cooler)
- Standard gear ratios
 $i = 3,00 - 3,14 - 3,39 - 3,76 - 4,13 - 4,50 - 4,93$
- API 674 and ATEX versions available



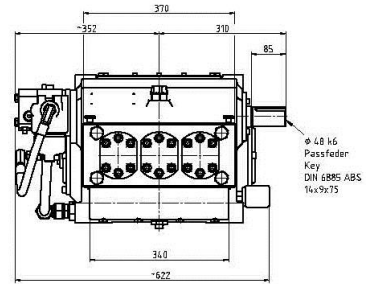
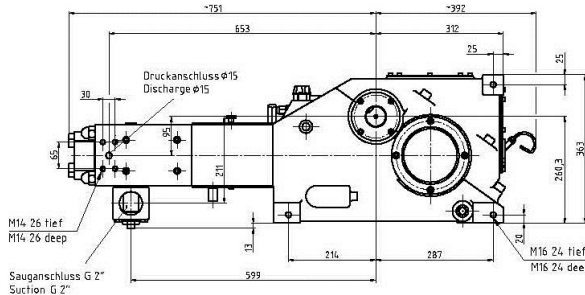
$n_{nom} = 475 \text{ 1/min}$		p max. bar @ kW				Head type		
Type	l/min	75 kW	90 kW	110 kW	130 kW	A	M	MC
K 13014 – 3G	23	1720	2070	2540	3000	1		
K 13016 – 3G	30	1320	1590	1940	2300	1		
K 13018 – 3G	38	1035	1235	1660	1810	1		
K 13020 – 3G	47	850	1010	1220	1430	2		
K 13022 – 3G	57	715	845	1015	1180	2		
K 13024 – 3G	68	600	720	860	995	2		H
K 13026 – 3G	79	515	620	760	845	2		H
K 13028 – 3G	92	445	530	655	730	2		H
K 13030 – 3G	106	390	460	565	635	2		H
K 13032 – 3G	120	340	410	500	560	2		H
K 13036 – 3G	152	260	310	380	440	2	1	H
K 13040 – 3G	188	205	245	300	355		1	1
K 13045 – 3G	238	160	195	235	280		1	1
K 13050 – 3G	294	130	155	190	225		1	1
K 13055 – 3G	355	110	130	160	185		1	1
K 13060 – 3G	423	95	110	135	155		1	1
K 13065 – 3G	496	80	95	115	135			1

API 674 = max. 340 1/min

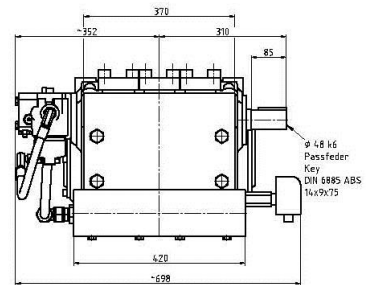
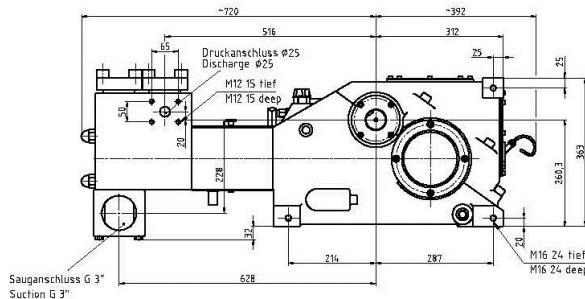
= Ultra High Pressure UHP

Dimensional Drawing K 13000 – 3G ~ 440 kg P 25-2
01.05.2017

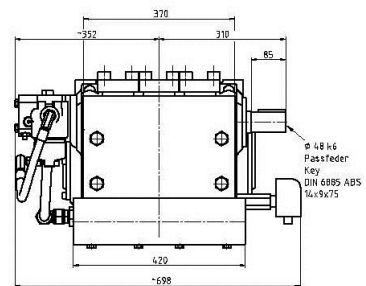
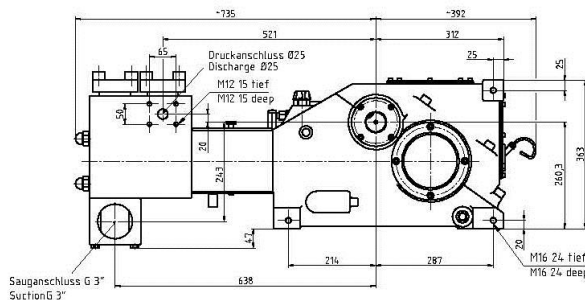
Typ A
Type A



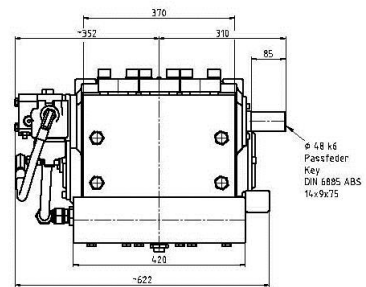
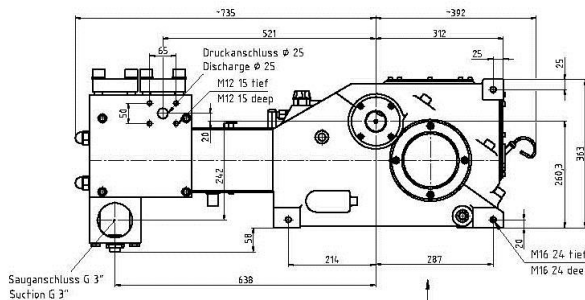
Typ M
Type M



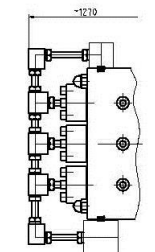
Typ MC
Type MC



Typ MCH
Type MCH



Typ A
Type A
 ≈ 1500 bar



Höchstdruckkopf ≈ 1500 bar
High Pressure Head ≈ 1500 bar

Fußmaßzeichnung
Footprint

